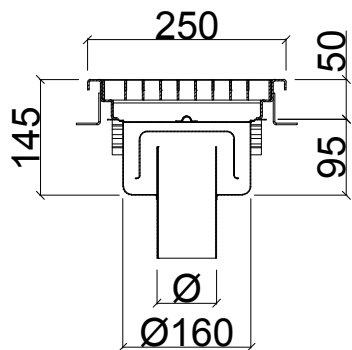
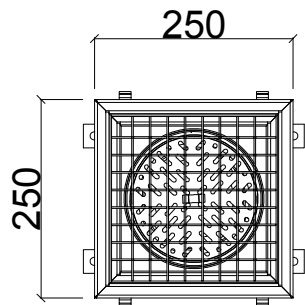
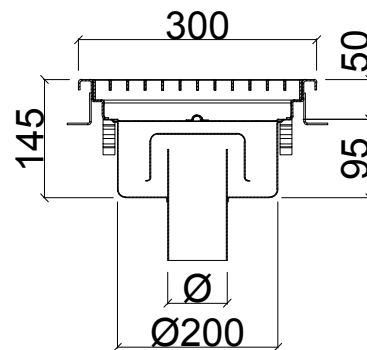
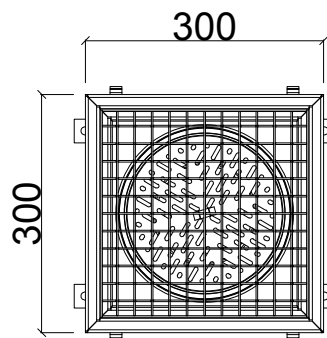


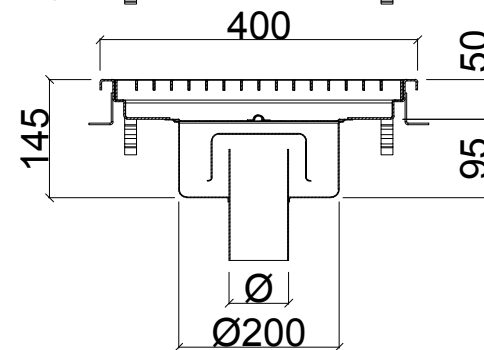
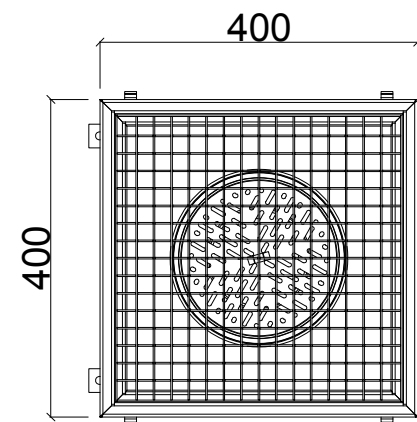
LOW TYPE			
MODEL	W x L	Ø	
		DN50	DN70
TAG-22	250 x 250	Ø50	Ø75
Max. Flow Rate	lt / min	50	50
Waterseal Heigh		50mm	



LOW TYPE				
MODEL	W x L	Ø		
		DN50	DN70	DN100
TAG-33	300 x 300	Ø50	Ø75	Ø110
Max. Flow Rate	lt / min	50	50	70
Waterseal Heigh		50mm		



LOW TYPE				
MODEL	W x L	Ø		
		DN50	DN70	DN100
TAG-44	400 x 400	Ø50	Ø75	Ø110
Max. Flow Rate	lt / min	50	50	70
Waterseal Heigh		50mm		



APPLICATION DRAWING

