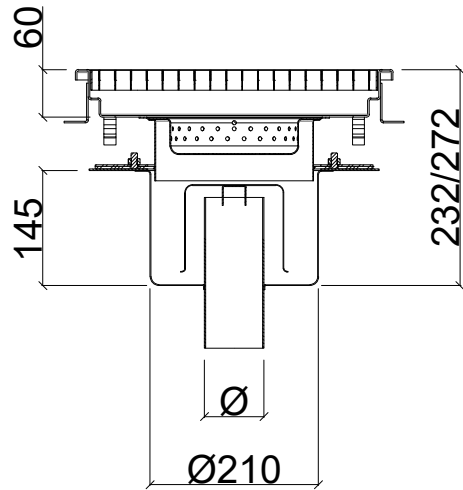
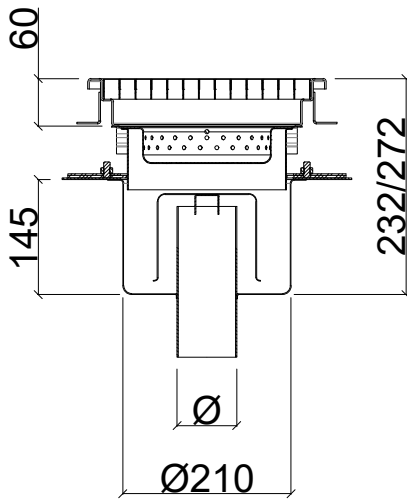
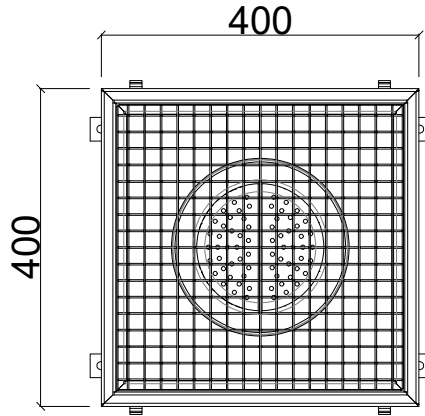
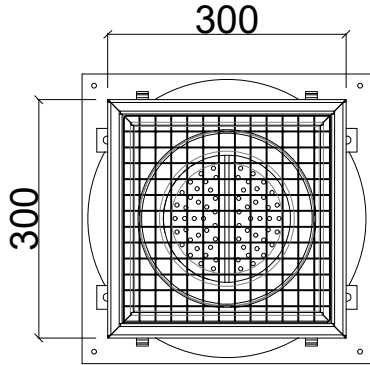
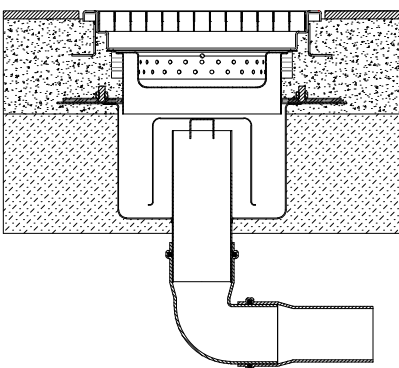


DEEP TYPE				
MODEL	W x L	Ø		
		DN50	DN70	DN100
TDAG-D-33	300 x 300	Ø50	Ø75	Ø110
Max. Flow Rate lt / min		50	50	70
Waterseal Heigh		60mm		

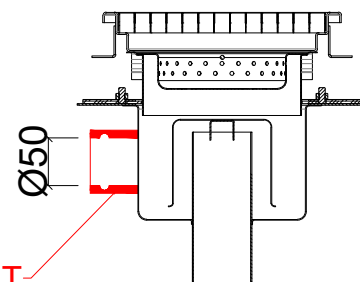
DEEP TYPE				
MODEL	W x L	Ø		
		DN50	DN70	DN100
TDAG-D-44	400 x 400	Ø50	Ø75	Ø110
Max. Flow Rate lt / min		50	50	70
Waterseal Heigh		60mm		



APPLICATION DRAWING



OPTIONAL



EXTRA INLET